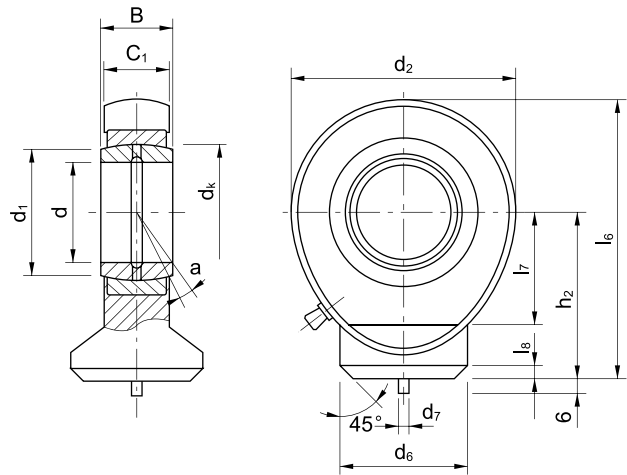


- 軸承的伸出杆或座是用焊接性能良好的材料制成。
Bearings stretching rod or housing os made up of weldable steel.
- GK...DO型是由向心關節軸承和帶有焊接坡口的伸出杆組成，杆的端部有定位銷。
The type GK...DO is made up of a spherical plain bearing of type GE...ES and a stretching rod with welding slope, there is a dowel pin at the end of the rod.



軸承型號 Bearings number	尺寸 Dimensions (mm)														負荷KN Load ratings		重量 Weight (kg)
	d	d ₁	B	C ₁	d _k	d ₂	l ₆	h ₂	l ₇	l ₈	d ₇	d ₆	D	a° ≈	動 C	靜 C ₀	
GK 10DO	10	13.2	9	7	16	29	38.5	24	15	2	3	15	19	12	8.15	15.6	0.041
GK 12DO	12	14.9	10	8	18	34	44	27	18	2	3	17.5	22	11	10.8	21.6	0.066
GK 15DO	15	18.4	12	10	22	40	51	31	20	2.5	4	21	26	8	17.0	32.0	0.12
GK 17DO	17	20.7	14	11	25	46	58	35	23	3	4	24	30	10	21.2	40.0	0.19
GK 20DO	20	24.1	16	13	29	53	64.5	38	27	3	4	27.5	35	9	30.0	54.0	0.23
GK 25DO	25	29.3	20	17	35.5	64	77	45	32	4	4	33.5	42	7	48.0	72.0	0.43
GK 30DO	30	34.2	22	19	40.7	73	87.5	51	37	4	4	40	47	6	62.0	95.0	0.64
GK 35DO	35	39.7	25	21	47	82	102	61	42	4	4	47	55	6	80.0	125	0.96
GK 40DO	40	45	28	23	53	92	115	69	48	5	4	52	62	7	100	156	1.3
GK 45DO	45	50.7	32	27	60	102	128	77	52	5	6	58	68	7	127	208	1.8
GK 50DO	50	55.9	35	30	66	112	144	88	60	6	6	62	75	6	156	250	2.5
GK 60DO	60	66.8	44	38	80	135	167.5	100	75	8	6	70	90	6	245	390	3.9
GK 70DO	70	77.8	49	42	92	160	195	115	87	10	6	80	105	6	315	510	6.6
GK 80DO	80	89.4	55	47	105	180	231	141	100	10	6	95	120	6	400	620	8.7

也可制成帶-2RS結構，例如：GF50 DO-2RS
Also made up of a spherical radial bearing with two seals and rod body, e.g. GF50 DO-2RS