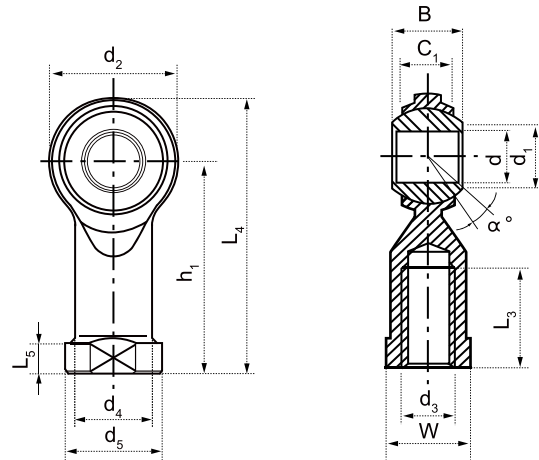


- 杆端體帶有左旋或右旋的內螺紋。
Rod body with right or left-hand female thread.
- 杆端體擠壓成形。
Rod body pressed around inner ring.
- 外圈球面粘貼PTFE織物。
Outer race lined with PTFE composite material.
- 杆端體表面鍍鋅。
Surface of rod body zinc plated.



軸承型號 Bearings number	尺寸mm Dimensions													負荷KN Load ratings		重量 Weight (kg)
	d	d_3 7H	B	C_1	d_2	h_1	L_4	L_3 min	d_5	W	d_4	L_5	α \approx	動dyn. C	靜stat. C_0	
NHS5 PK	5	M5×0.8	8	6	19	27	36.5	10	11	9	9	4	12	5.70	6.00	0.018
NHS6 PK	6	M6×1.0	9	6.7	21	30	40.5	12	13	11	10	5	11	7.20	7.65	0.026
NHS8 PK	8	M8×1.25	12	9	25	36	48.5	16	16	14	12.5	5	12	11.6	12.9	0.047
NHS10 PK	10	M10×1.5	14	11	29	43	57.5	20	19	17	15	6.5	12	14.5	18.0	0.077
NHS10-1 PK	10	M10×1.25	14	11	29	43	57.5	20	19	17	15	6.5	12	14.5	18.0	0.077
NHS12 PK	12	M12×1.75	16	12	33	50	66.5	22	22	19	17.5	6.5	13	17.0	24.0	0.100
NHS12-1 PK	12	M12×1.25	16	12	33	50	66.5	22	22	19	17.5	6.5	13	17.0	24.0	0.100
NHS14 PK	14	M14×2.0	19	14	37	57	75.5	25	25	22	20	8	14	24.0	31.0	0.160
NHS16 PK	16	M16×2.0	21	15	43	64	85.5	28	27	22	22	8	14	28.5	39.0	0.220
NHS16-1 PK	16	M16×1.5	21	15	43	64	85.5	28	27	22	22	8	14	28.5	39.0	0.220
NHS18 PK	18	M18×1.5	23	17	47	71	94.5	32	31	27	25	10	14	42.5	47.5	0.320
NHS20 PK	20	M20×1.5	25	18	51	77	102.5	33	34	30	27.5	10	14	42.5	57.0	0.420
NHS22 PK	22	M22×1.5	28	20	55	84	111.5	37	38	32	30	12	15	57.0	68.0	0.540
NHS25 PK	25	M24×2.0	31	22	61	94	124.5	42	42	36	33.5	12	15	68.0	85.0	0.720

若是左旋螺紋，軸承型號需加“L”，例如：SIL 18 PK。
For left-hand thread, please add suffix "L", e.g. SIL 18 PK.